

MC 6587 and **MC 7687** can control up to three B&C Electronics digital probes and transmitters. If necessary, the user can connect two or three devices of the same kind, so to have a double or triple validation.

The available parameters are:

- turbidity and suspended solids
- dissolved oxygen
- conductivity and TDS
- pH / ORP
- free residual chlorine
- chlorine dioxide
- residual dissolved ozone
- different types of oxidants
- temperature

Main features

Inputs

Three inputs for digital probes and 3436 transmitters.

Display

The multi-line graphic display shows the values of the measures and the messages which guide the user through set-up, configuration and during normal operation.

Keyboard

There are dedicated keys to directly access zero and sensitivity calibration as well as set point configuration.

Configuration and Setup

Dedicated menu for the system and the single inputs, with password protection.

Operating mode

The meters can operate in automatic, measure or simulated mode so to facilitate start-up or maintenance.

Two analog outputs

Can be addressed to any input and programmable 0/4 – 20 mA on two points of the scale. They allow PID control or transmission of the measured values.

Digital output

Isolated RS485 with two communication protocols, B&C ASCII and Modbus RTU (03, 06 and 16 function).

Output relays

Four relays addressable on inputs, alarm or autocleaning, with min/max set points.



PID regulation

Actuation value on the display. The user can select 4/20 mA control, PFM (pulse frequency modulation) or PWM (pulse width modulation) control addressed to the corresponding relay.

Alarms

Dedicated relay for the min/max values of the measures, the excessive permanence of the set points and the presence of the logic inputs. Alternatively, this relay can be addressed and dedicated to the regulation function.

Logic inputs

Two free voltage contacts can generate a hold or alarm condition.

Autocleaning

Dedicated relay to activate an external autocleaning device. The cleaning cycle can be programmed in terms of frequency, duration and hold time. Alternatively, this relay can be addressed to the regulation function.

Universal power supply

From 85 to 264 Vac, 50/60 Hz.

The low voltage option allows to power the unit from 9 to 36Vdc or from 12 to 24Vac, 50/60 Hz.

Easy installation

All 6587 series of controllers have IP66 protection rating.

They are suitable for wall mounting, or for DIN rail and handrail by means of optional accessories.

Series 7687 has an IP65 front panel and it is designed for customers who prefer panel mounting.

Applications

- Drinking water
- Aquaculture
- Food and Beverage
- Chemical Industry
- Pharmaceutical Industry
- Textile Industry
- Fertirrigation
- Swimming Pools
- Water Treatment

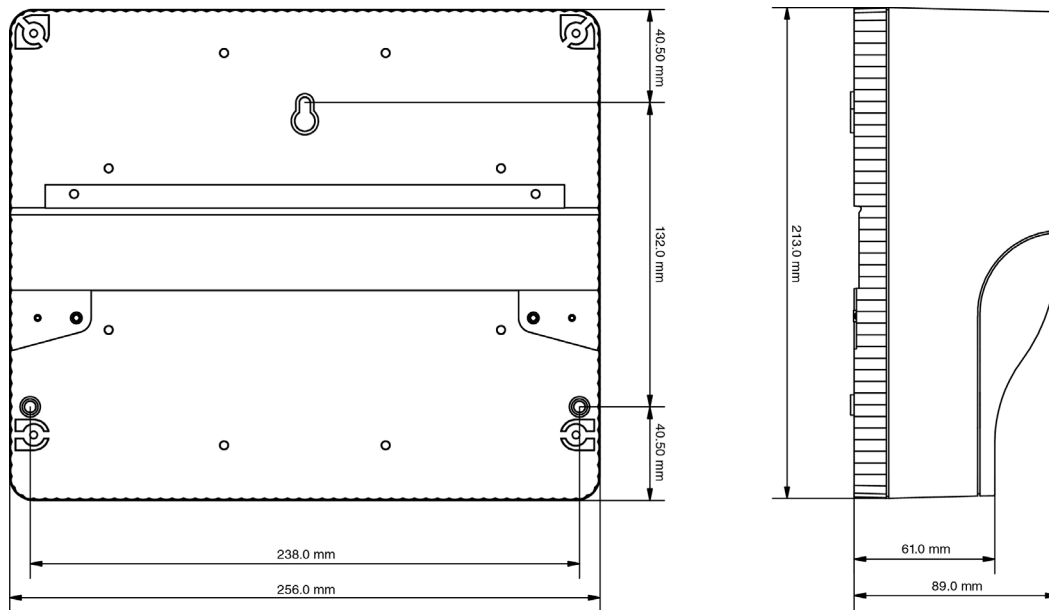
Technical specifications

Inputs for digital probes:	<ul style="list-style-type: none"> • C 8825.4 toroidal conductivity probe, submersible/in line, PVC-C • C 8325.5 toroidal conductivity probe, submersible, PVDF • C 8520.5 toroidal conductivity probe, tapered collar DN 32, PVDF • OD 8325 submersible optical dissolved oxygen probe, PVC-C • OD 8525 overflow optical dissolved oxygen probe, PVC-C • TU 8325 submersible turbidity probe, PVC-C • TU 8355 submersible turbidity/suspended solids probe, PVC-C • TU 8525 overflow turbidity probe, PVC-C • TU 8525.5 overflow turbidity probe, PVDF • TU 8555 overflow turbidity/suspended solids probe, PVC-C • TU 8555.5 overflow turbidity/suspended solids probe, PVDF
Inputs for transmitters:	<ul style="list-style-type: none"> • C 3436 conductivity/TDS transmitter for 2 or 4-wire cells • CL 3436 free/combined/total/dioxide chlorine, d.ozone transmitter • PH 3436 pH/ORP transmitter
MC 6587 Keyboard:	8 keys
MC 7687 Keyboard:	4 keys double function
Display:	multiline graphic
Dual analog output:	0-20 mA / 4-20 mA Rmax 600 Ω
Digital output:	isolated RS485. B&C ASCII and Modbus RTU protocols (03 function)
Dual set point HI/LO:	ON/OFF - PID - PFM – PWM, SPST relays
Hysteresis:	0 ÷ 10 % of the scale
Delay:	0 ÷ 100.0 seconds
Alarm:	SPDT relay, 0 ÷ 100.0 seconds delay
Cleaning function:	off / autoclean / manual, SPDT relay repetition time 0.1 ÷ 100.0 hours cleaning time 1.0 ÷ 60.0 seconds holding time 0.0 ÷ 20.0 minutes
SPST and SPDT relay contacts:	220V - 5 A resistive load
Operating temperature:	-10 ÷ 60 °C
Humidity:	95 % without condensation
Power supply:	85 ÷ 264 Vac - 50/60 Hz
Low voltage power supply:	9 ÷ 36Vdc, 12 ÷ 24 Vac (option 091.42x)
Terminal blocks:	removable
Weight:	1360 g (MC 6587) 450 g (MC 7687)
Enclosure:	ABS, IP 65 protection (MC 6587) Metallic, IP 65 front panel only (MC 7687)
Dimensions:	256x230x89 mm (MC 6587) 98x98x104 mm, 90x90x95 mm panel cutout (MC 7687)
EMC/RFI conformity:	EN 61326-2-3/2013 – EN 55011/2009
Ornamental design nbr.:	002564666-002 (MC 6587) - 002564666-003 (MC 7687)

The technical specifications may be changed without notice.

For any other technical features, please refer to the documentation of the connected probes/transmitters.

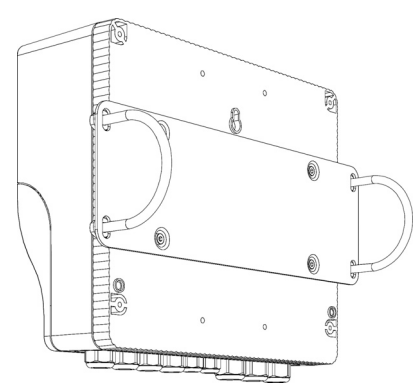
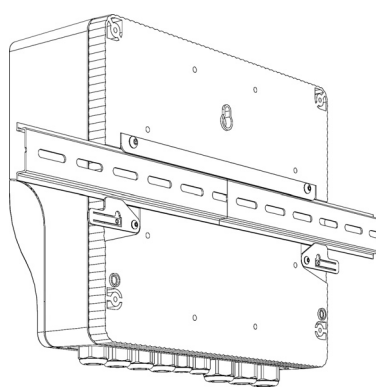
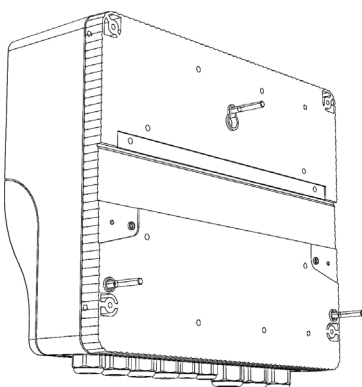
Series 6587 dimensions and installation



Wall

Din rail

Handrail



Series 7687 dimensions

